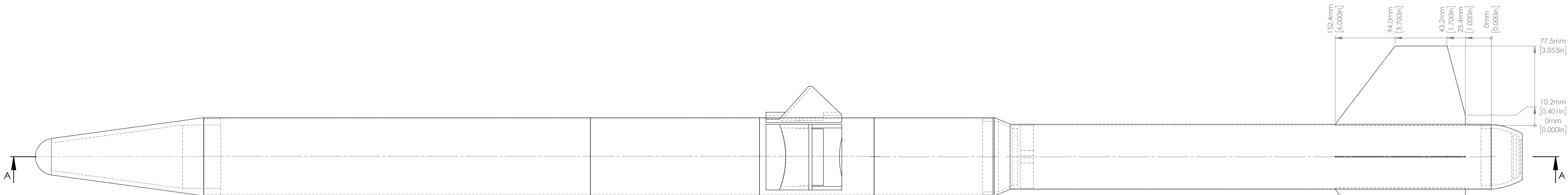


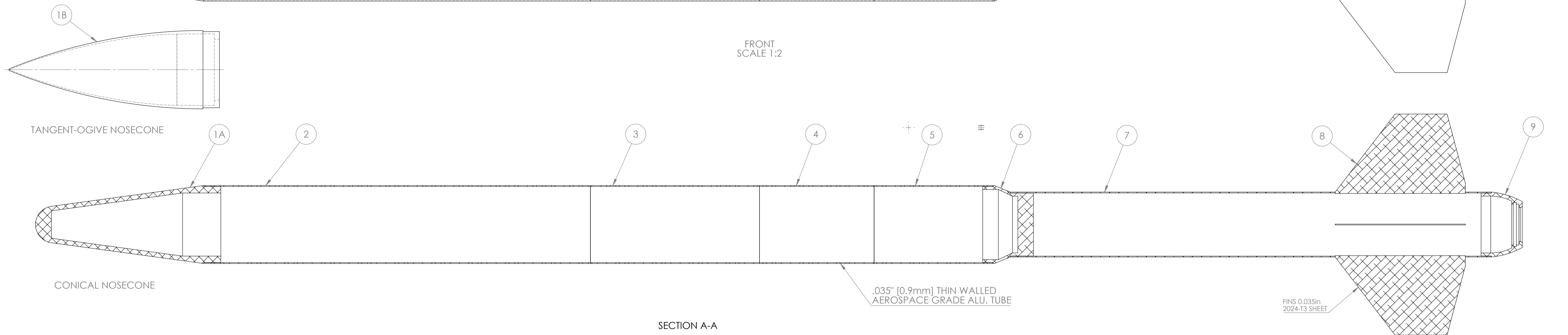
16 15 14 13 12 11 10 9 8 7 6 5 4 3 2 1

M L K J H G F E D C B A

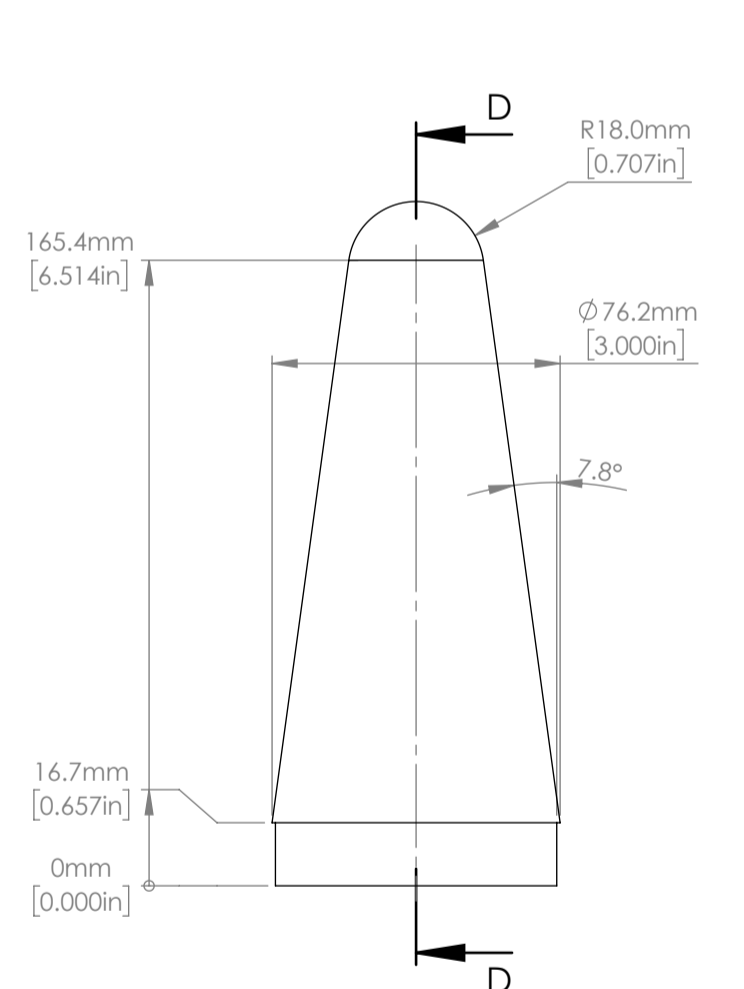
M L K J H G F E D C B A



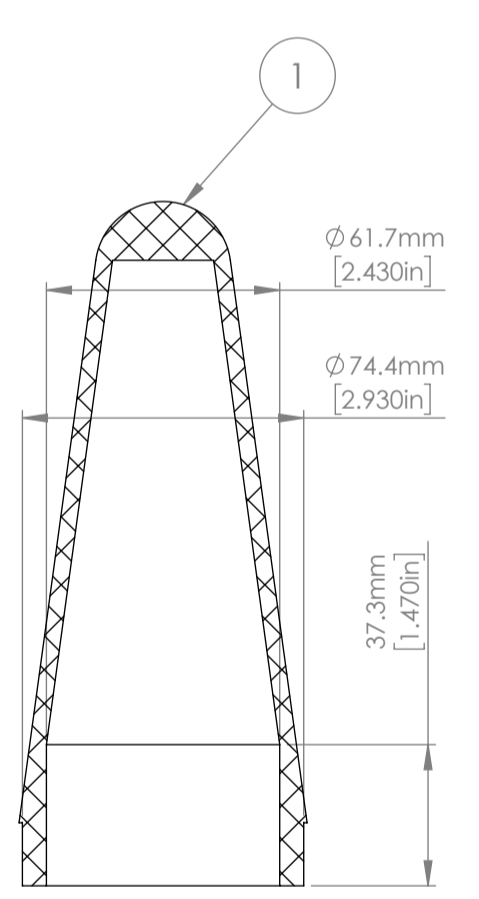
FRONT SCALE 1:2



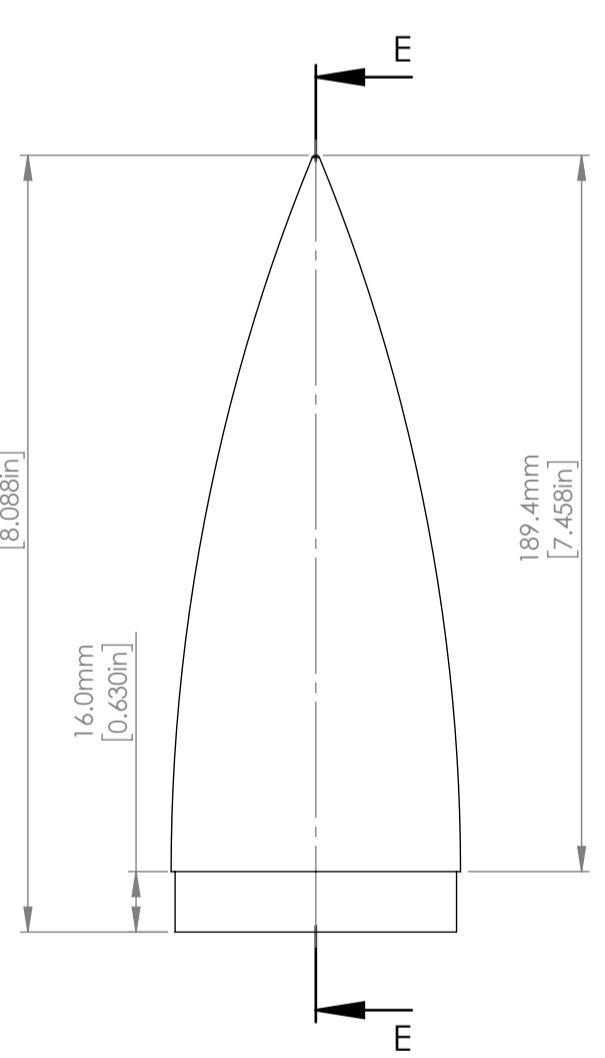
SECTION A-A



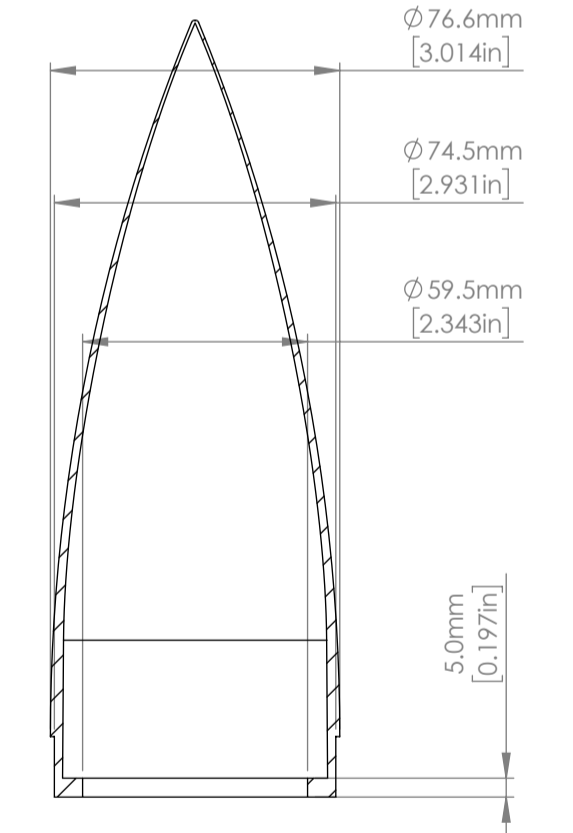
SECTION D-D



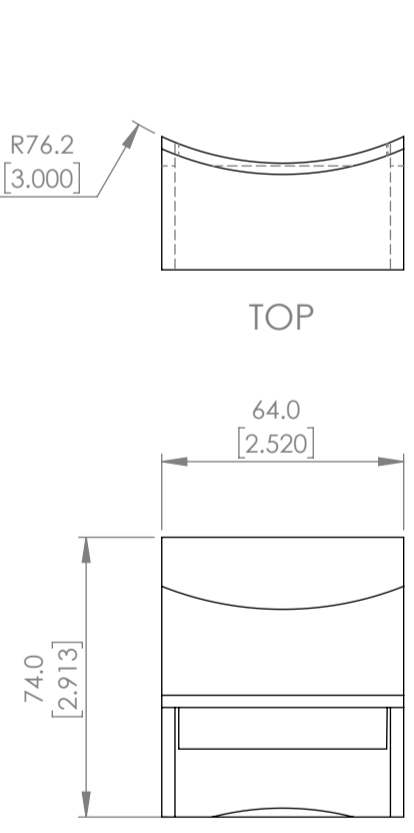
SECTION C-C



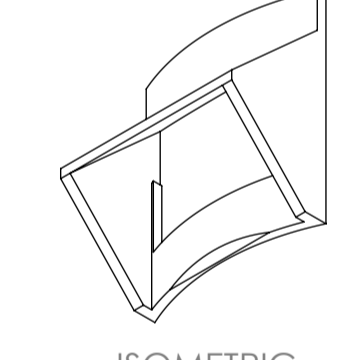
SECTION E-E



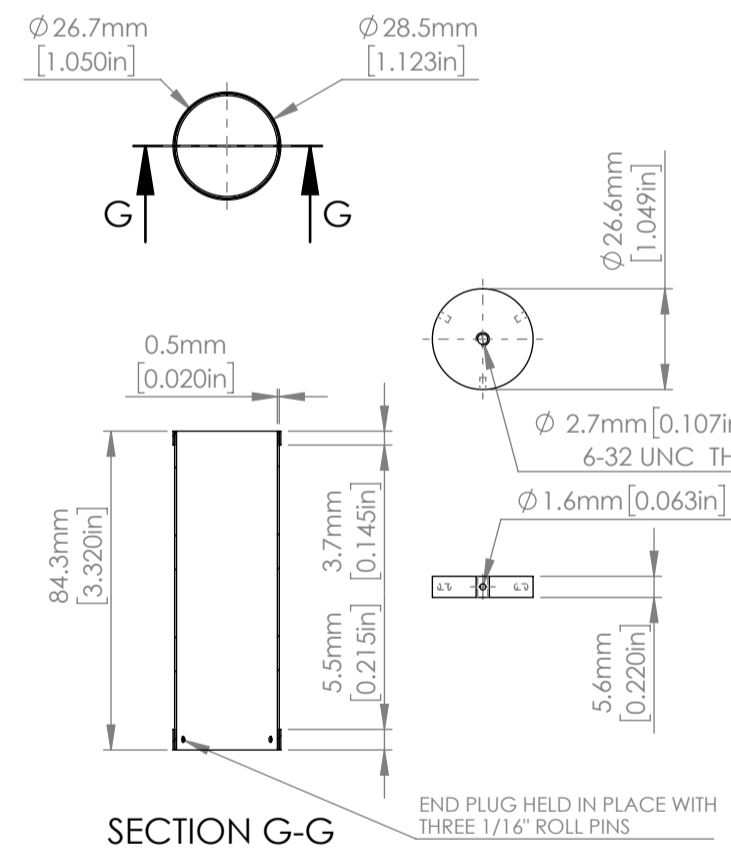
FRONT MIRROR FAIRING



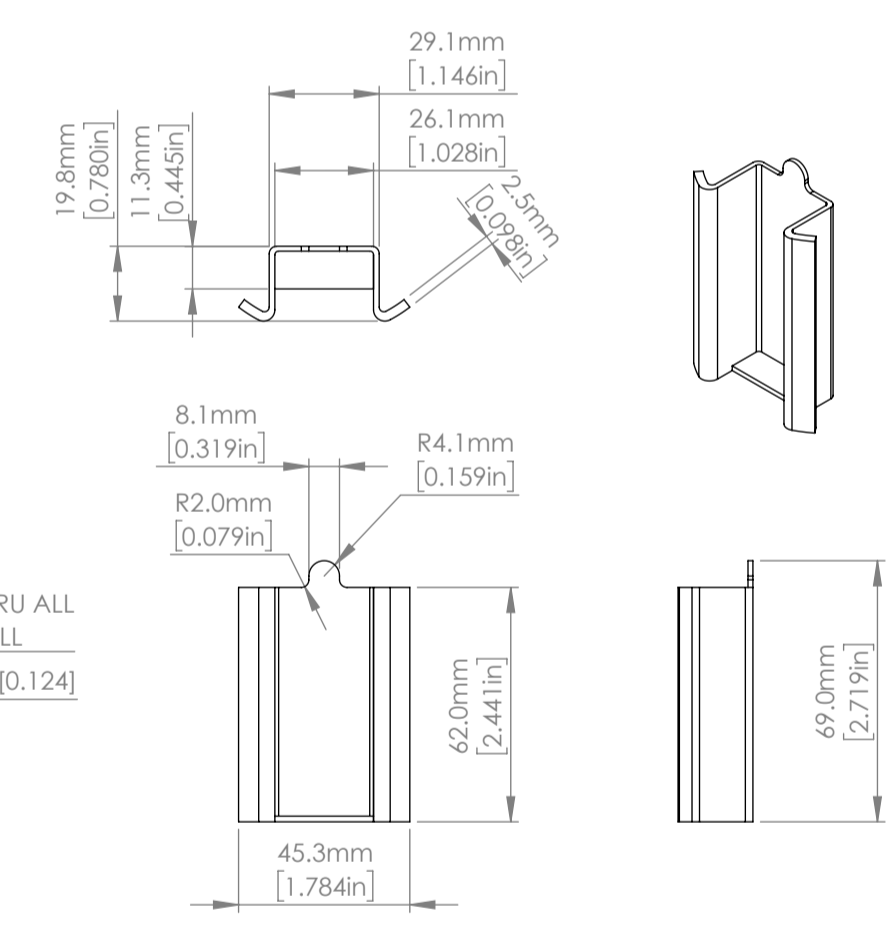
RIGHT MIRROR FAIRING



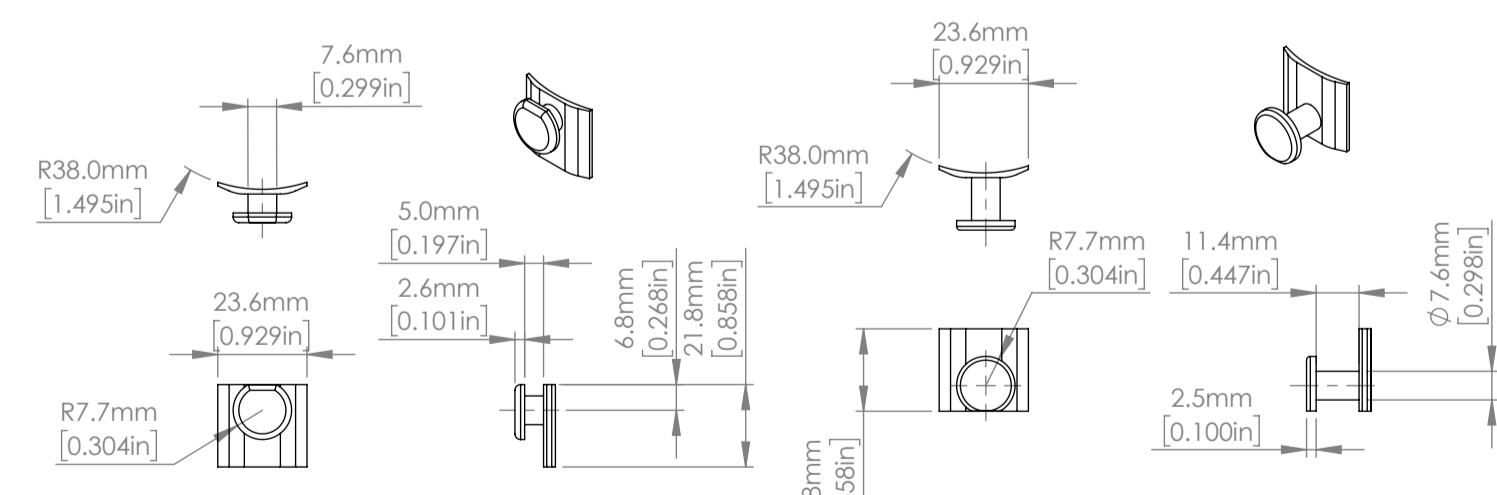
ISOMETRIC MIRROR FAIRING



SMOKE CANISTER DETAIL

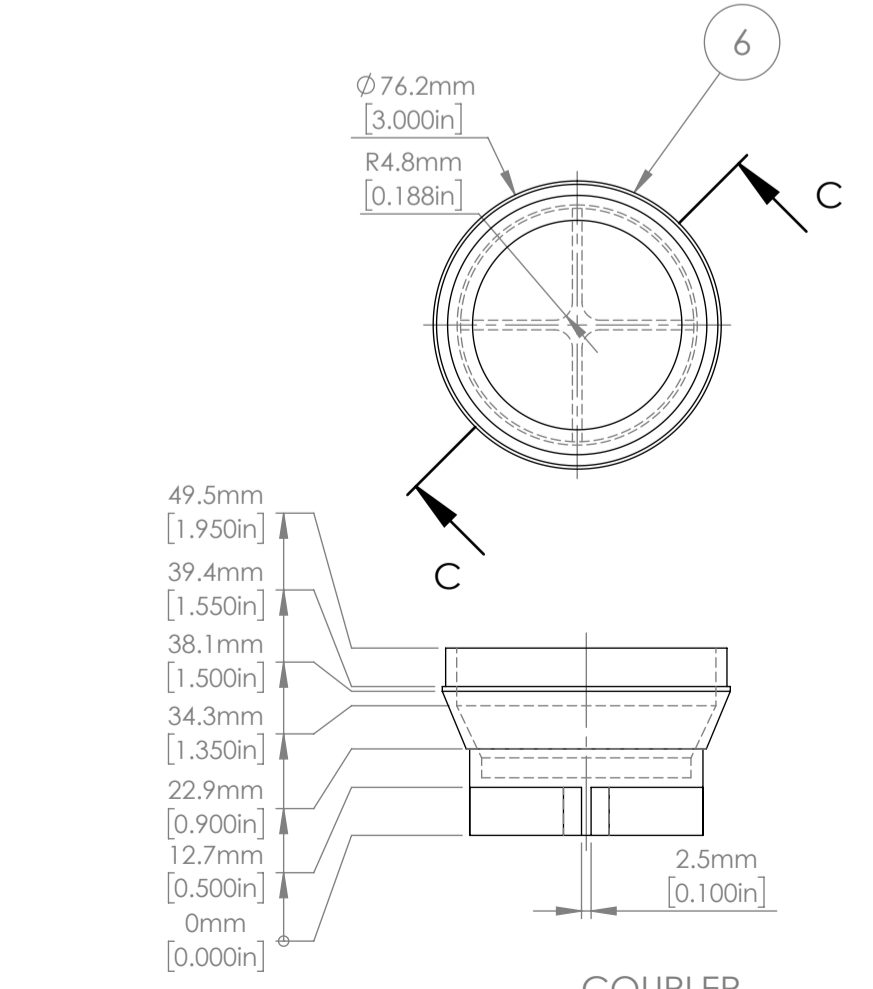


C-100 CAMERA BRACKET

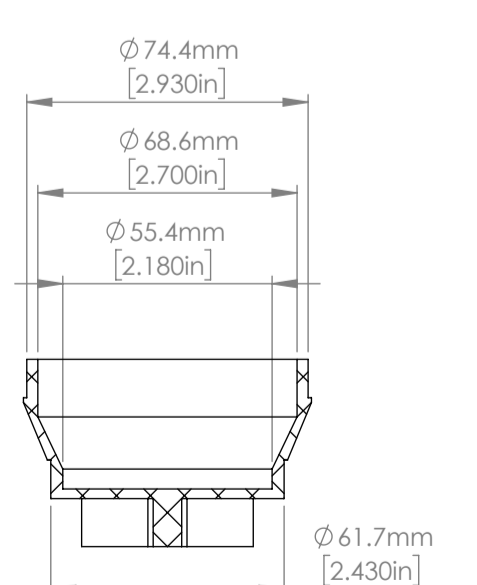


LAUNCH BUTTON FWD

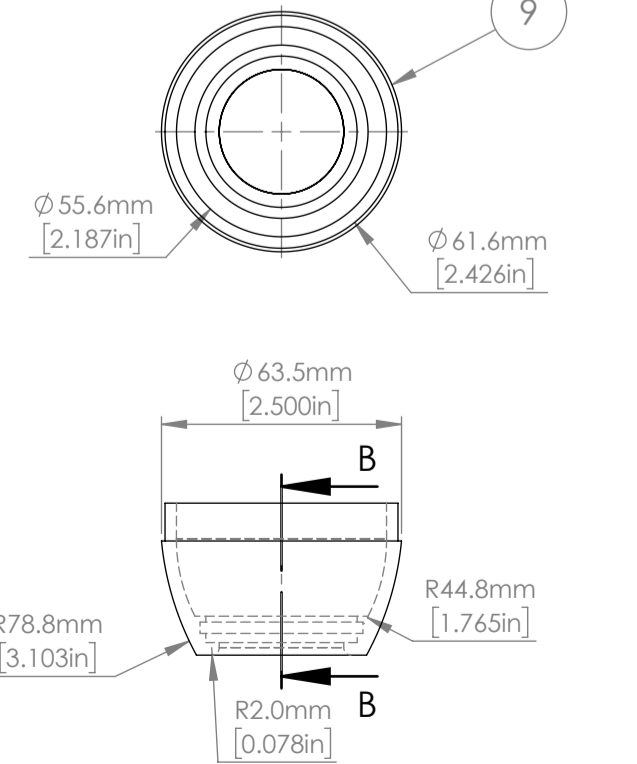
LAUNCH BUTTON AFT



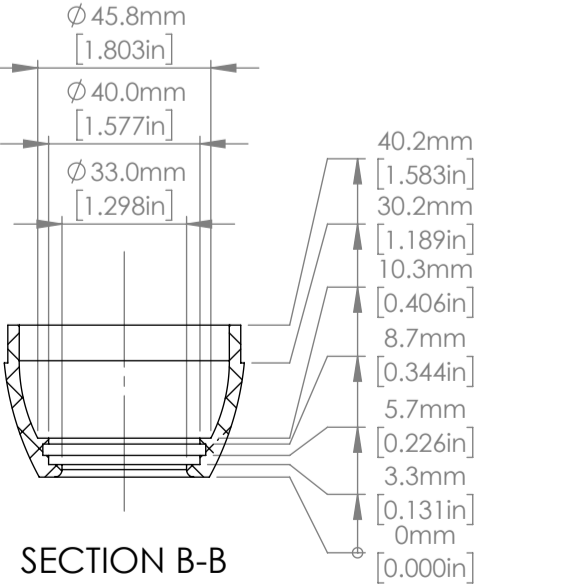
COUPLER



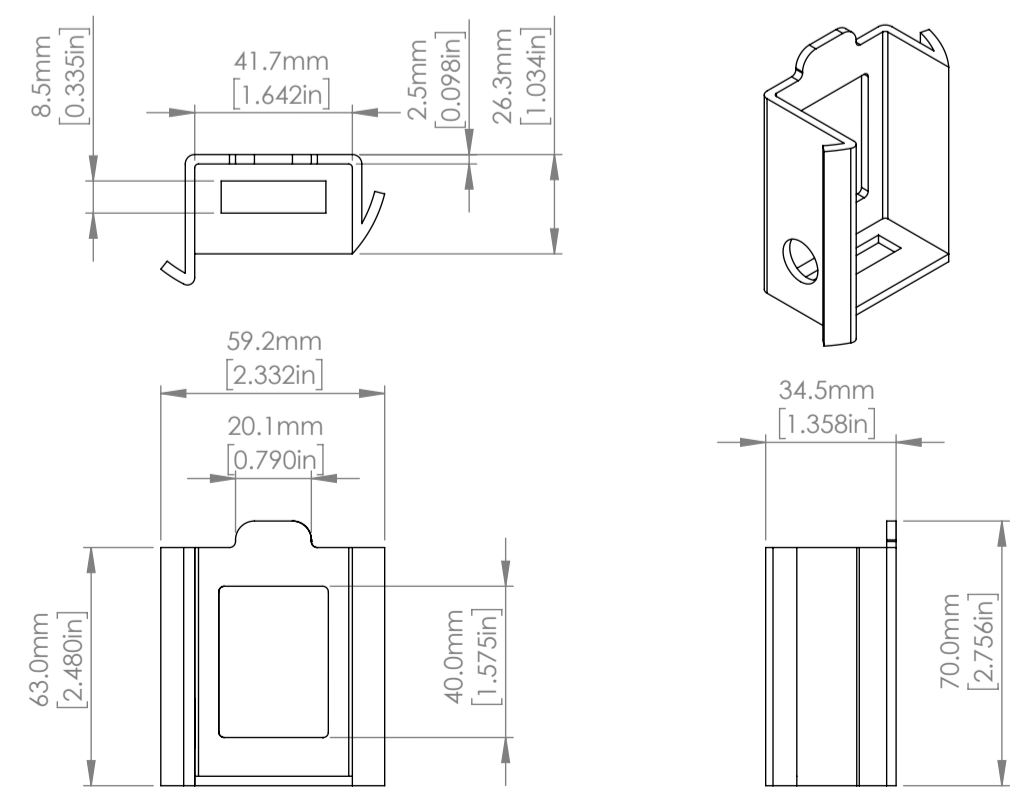
SECTION B-B



BOATAIL



CANPARK X-UHD CAMERA MOUNT



UNLESS OTHERWISE SPECIFIED: DIMENSIONS ARE IN MILLIMETERS SURFACE FINISH: TOLERANCES: LINEAR: ANGULAR:		FINISH:	DEBURR AND BREAK SHARP EDGES	DO NOT SCALE DRAWING	REVISION: 1
DRAWN: DAB			SIGNATURE: [Signature]		
CHKD: RN			DATE: 24/5/24		
APPVD:			TITLE: Xi Rocket		
MFG: G.A.			MATERIAL: 1060 Alloy		
			DWG NO: Xi Rocket		
			WEIGHT: 107.52		
			SCALE: 1:2		
			SHEET 1 OF 2		

16 15 14 13 12 11 10 9 8 7 6 5 4 3 2 1

A

A