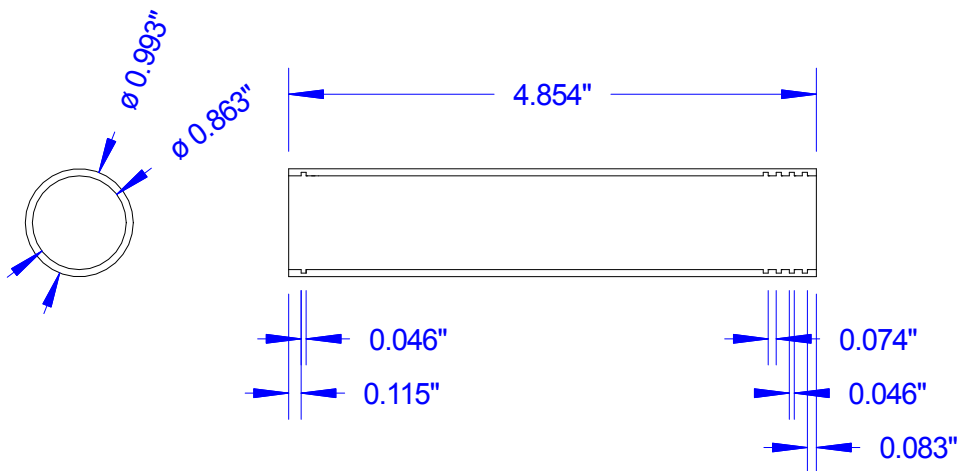
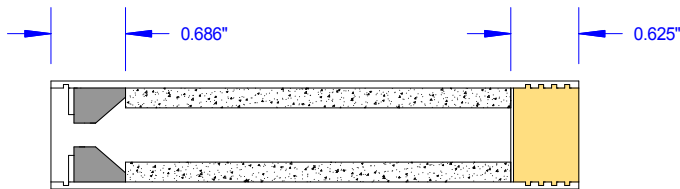
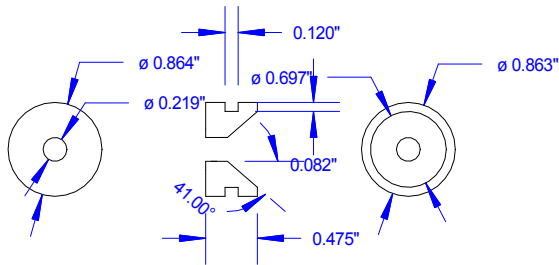


Graphite rod, cut to make 6 nozzles



Effectivity: A20-A1, A20-A3, A23-A4, A23-A5, A23-A6

Throat diameters, as manufactured:

- A20-A1: 0.206"
- A20-A3: 0.222"
- A23-A4: 0.206"
- A23-A5: 0.206"
- A23-A6: 0.207"

Materials:

- Nozzle: graphite
- Casing: 6061-T6 aluminum alloy
- Bulkhead, West epoxy, cast