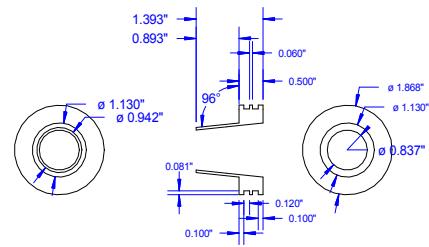
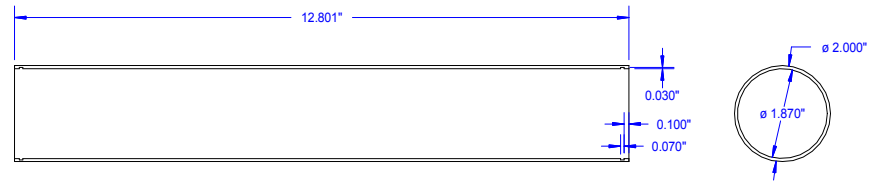


Graphite insert

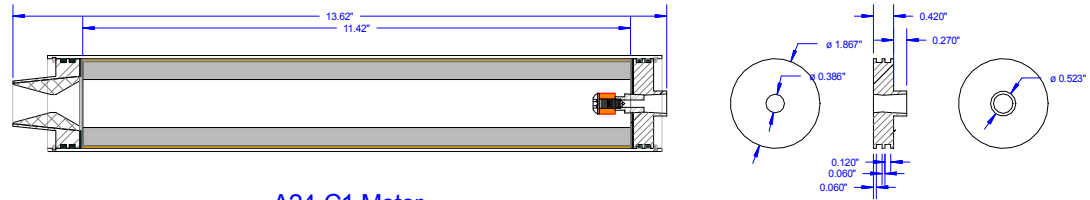


Nozzle shell

HO-175 snap ring

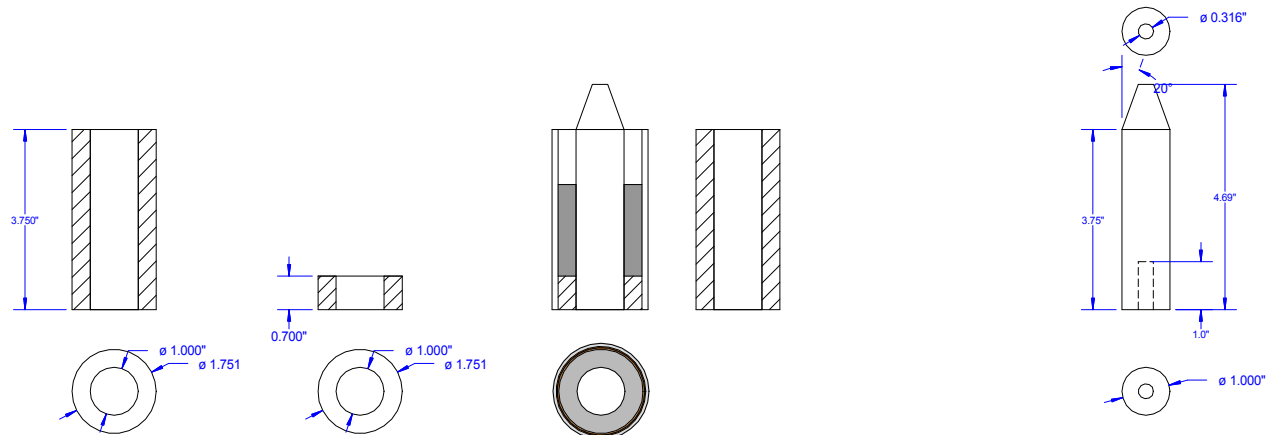


Casing



A24-C1 Motor

Bulkhead



Grain forming tooling